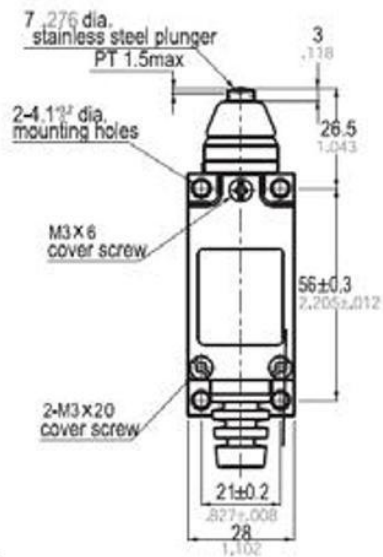
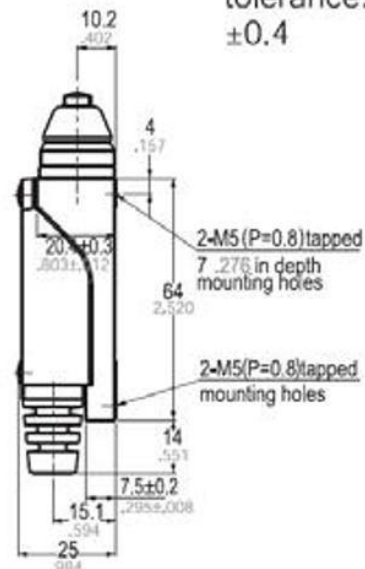


<SZL-VL-S-D>



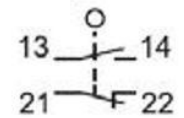
mm inch

General tolerance: ±0.4



Operating Characteristic

Snap Action



OF <sub>max</sub>	8.82N (900gf)
RF <sub>min</sub>	1.47N
PT <sub>max</sub>	1.5mm
OT <sub>min</sub>	4mm
MD <sub>max</sub>	0.7mm
TT	5.5mm